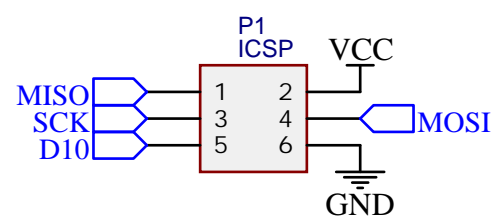
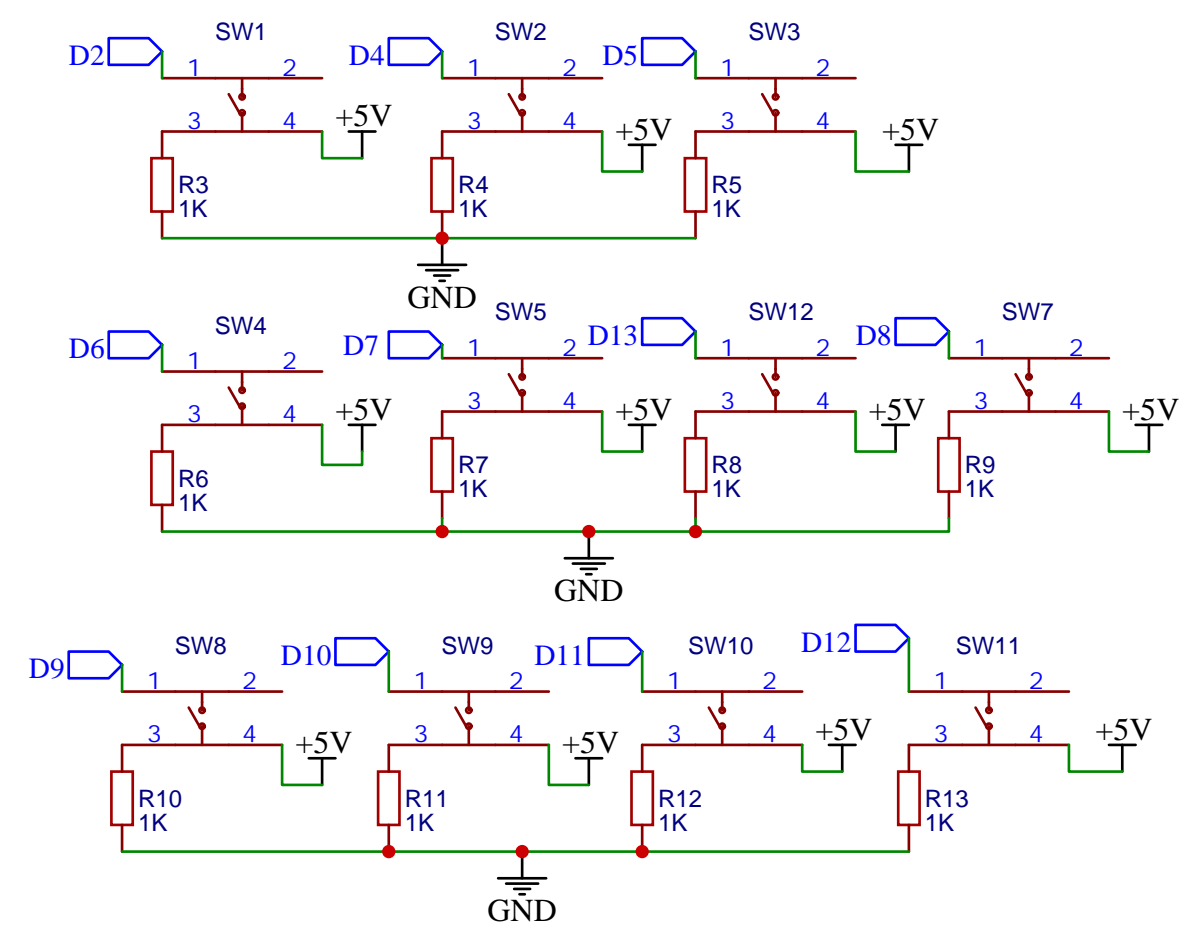
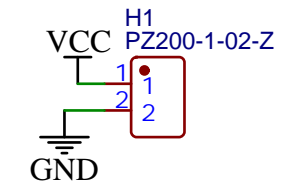
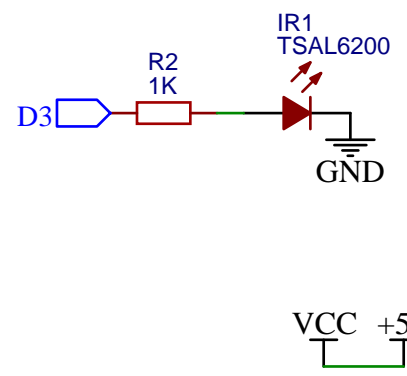
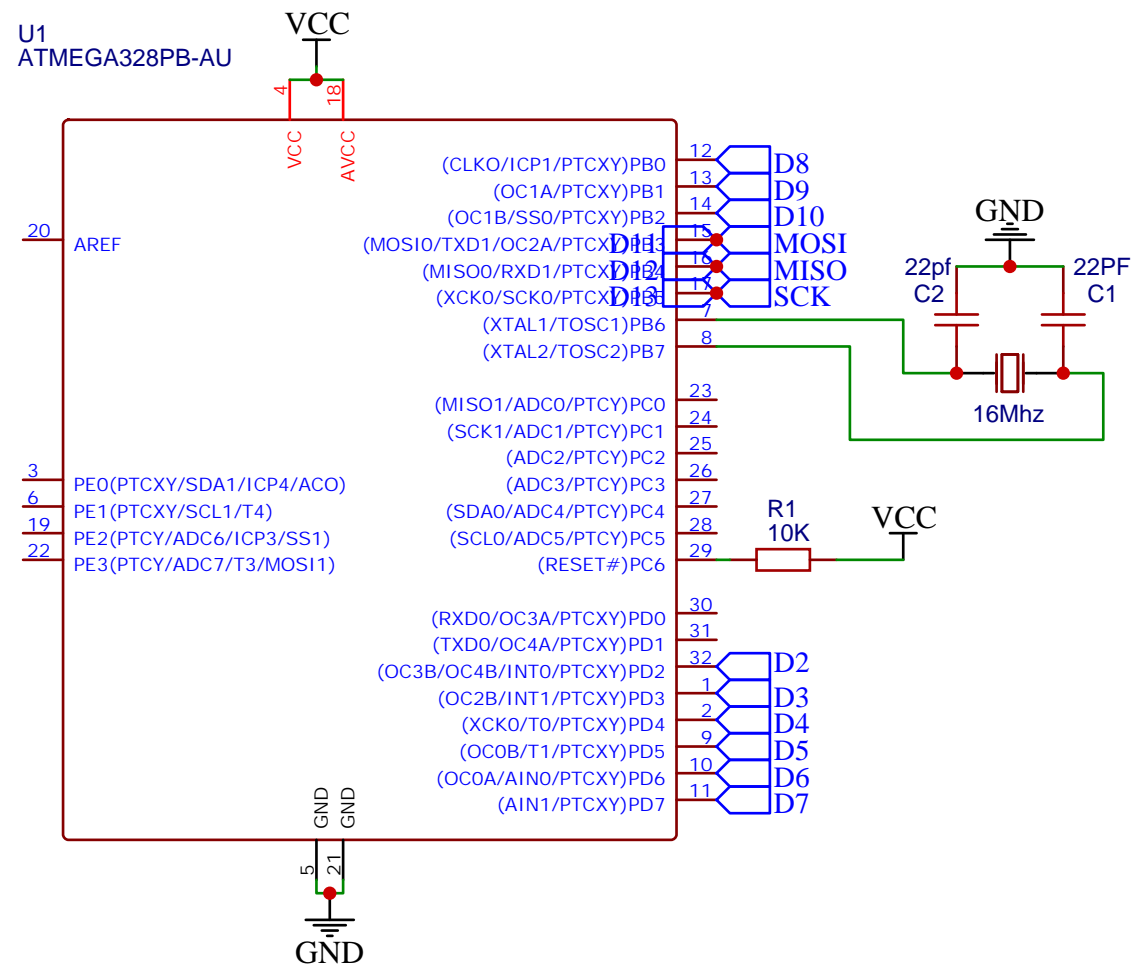


U1
ATMEGA328PB-AU



TITLE: Sheet_1		REV: 1.0
	Company: Your Company	Sheet: 1/1
	Date: 2021-11-10	Drawn By: sagar saini